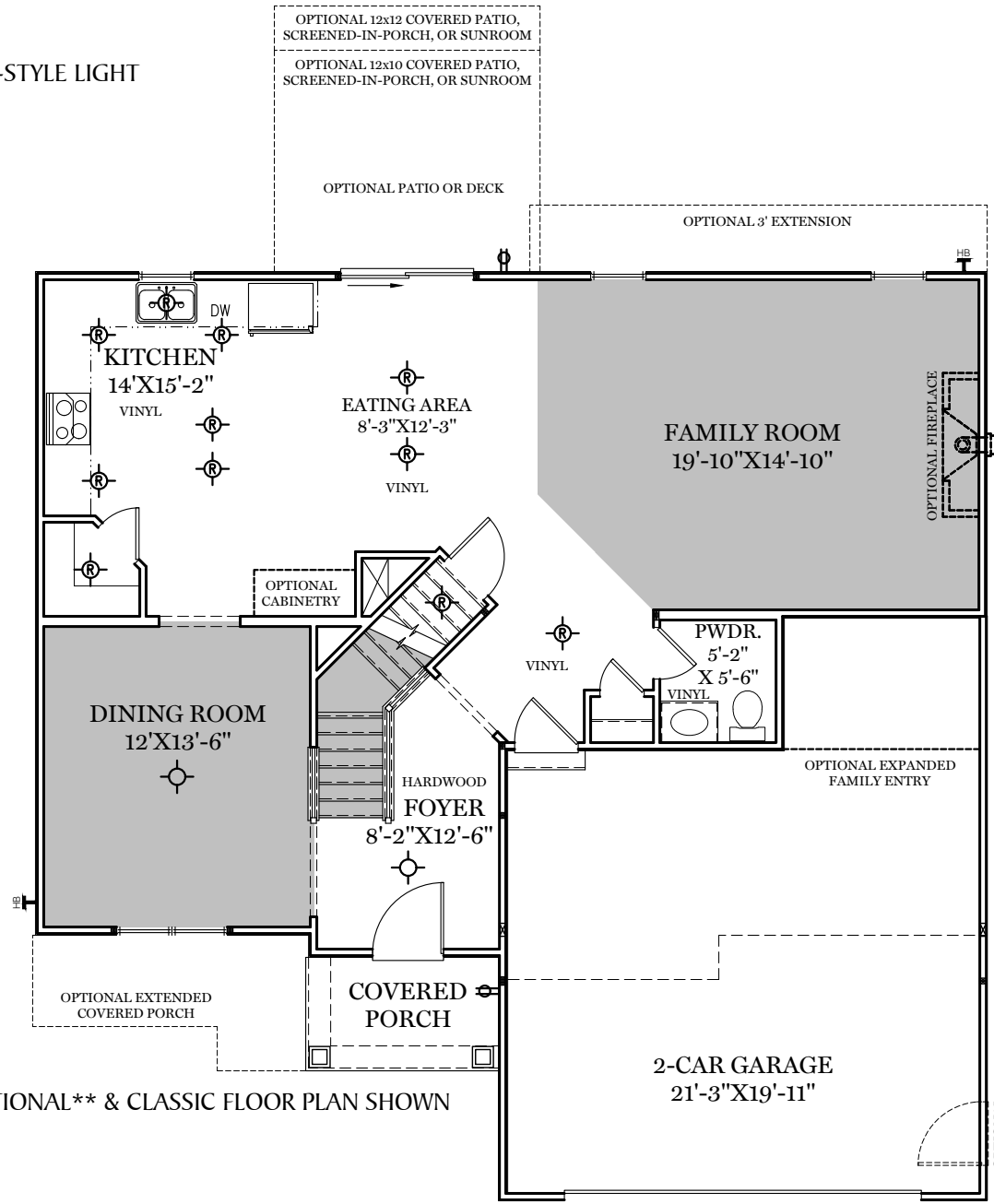
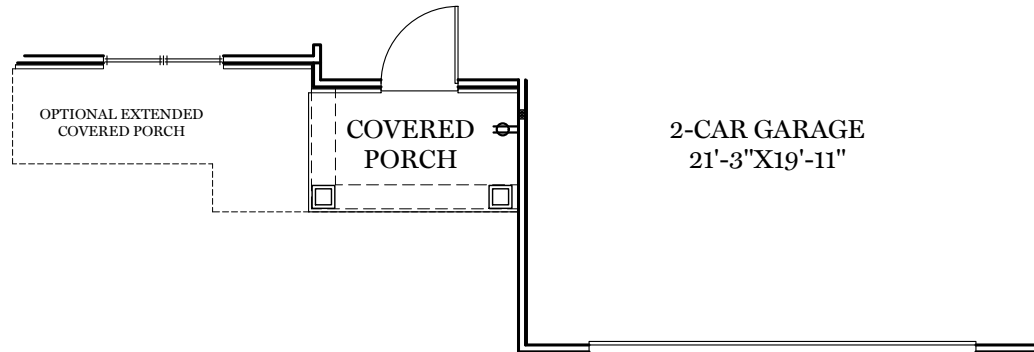


- = CARPETED AREA
- ⊕ = EXTERIOR RECEPTACLE
- HB ⊕ = EXTERIOR HOSE BIBB
- ⊕ (with R) = FLUSH MOUNT RECESSED-STYLE LIGHT
- ⊕ (with circle) = CEILING LIGHT

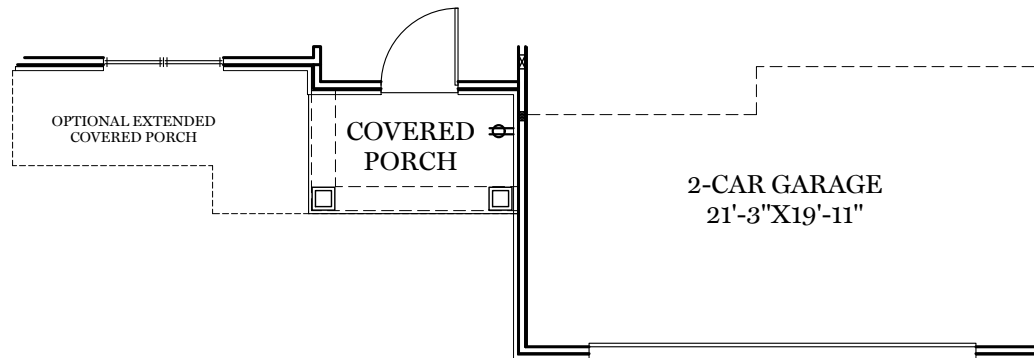


TRADITIONAL** & CLASSIC FLOOR PLAN SHOWN

ALL IMAGES ARE FOR ARTISTIC PURPOSES ONLY AND MAY CONTAIN ADDITIONAL FEATURES OR DESIGN OPTIONS NOT AVAILABLE ON ALL HOME PLANS AND IN ALL NEIGHBORHOODS. ROOM SIZE DIMENSIONS AND SQUARE FOOTAGES ARE APPROXIMATE. CONTACT SALES AGENT FOR MORE INFORMATION. TERMS AND CONDITIONS APPLY. [HTTPS://EGSTOLTZFUSHOMES.COM/TERMS-AND-CONDITIONS/](https://EGSTOLTZFUSHOMES.COM/TERMS-AND-CONDITIONS/)



AMERICAN FLOOR PLAN



HERITAGE FLOOR PLAN

1st Floor Plan

"DANBURY"

ALL IMAGES ARE FOR ARTISTIC PURPOSES ONLY AND MAY CONTAIN ADDITIONAL FEATURES OR DESIGN OPTIONS NOT AVAILABLE ON ALL HOME PLANS AND IN ALL NEIGHBORHOODS. ROOM SIZE DIMENSIONS AND SQUARE FOOTAGES ARE APPROXIMATE. CONTACT SALES AGENT FOR MORE INFORMATION. TERMS AND CONDITIONS APPLY. [HTTPS://EGSTOLTZFUSHOMES.COM/TERMS-AND-CONDITIONS/](https://EGSTOLTZFUSHOMES.COM/TERMS-AND-CONDITIONS/)

PDF LAST UPDATED 2/23/2023

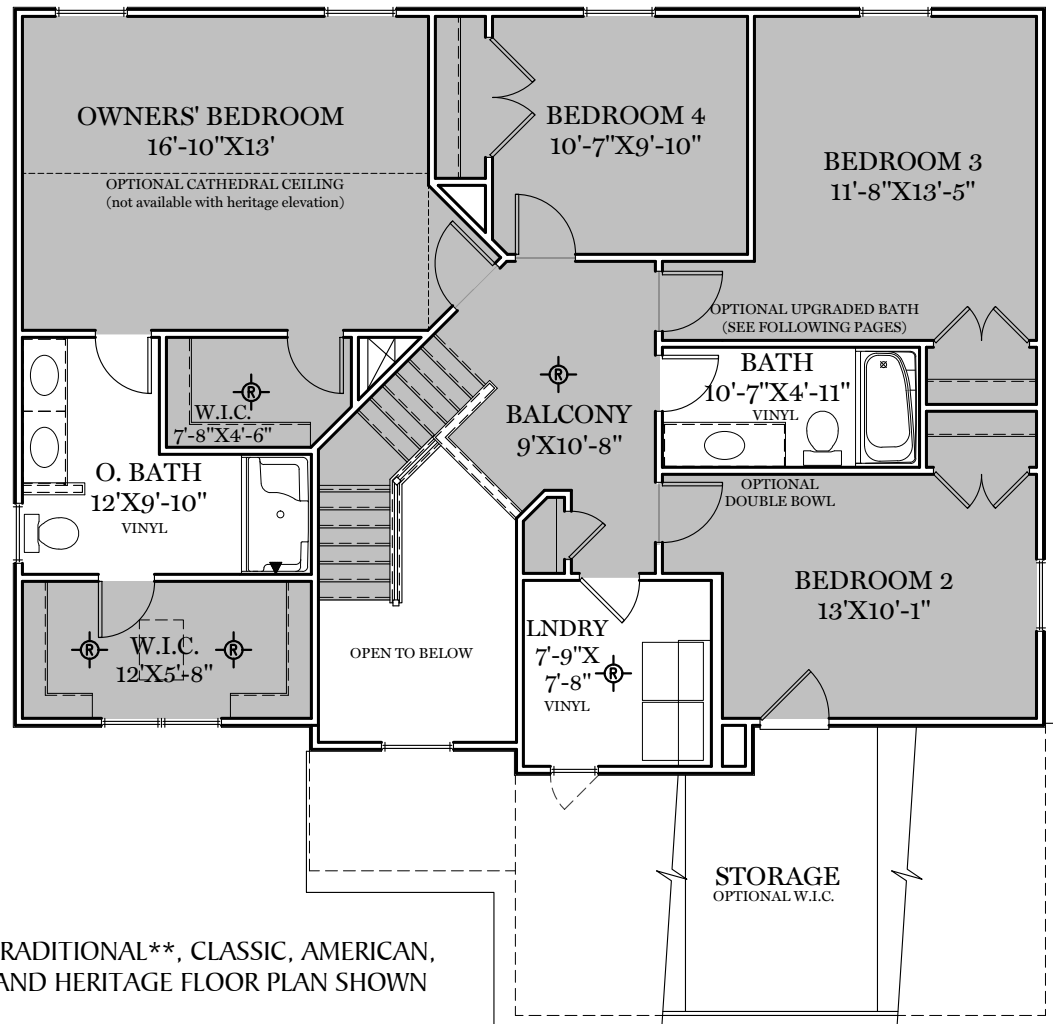


EGStoltzfus

BUILDING ONE STORY AT A TIME

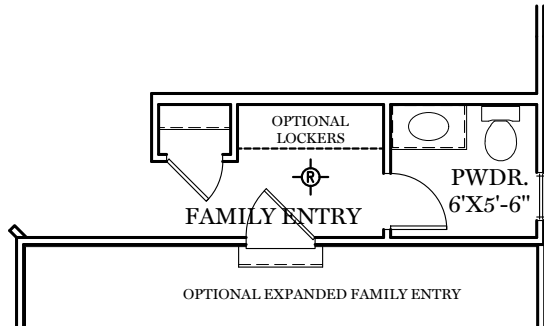
■ = CARPETED AREA

⊙ = FLUSH MOUNT RECESSED-STYLE LIGHT

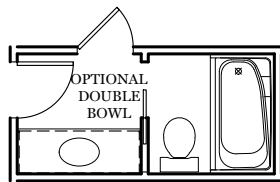


TRADITIONAL**, CLASSIC, AMERICAN,
AND HERITAGE FLOOR PLAN SHOWN

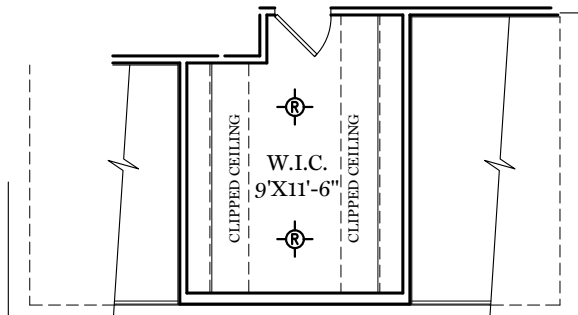
ALL IMAGES ARE FOR ARTISTIC
PURPOSES ONLY AND MAY CONTAIN
ADDITIONAL FEATURES OR DESIGN
OPTIONS NOT AVAILABLE ON ALL
HOME PLANS AND IN ALL
NEIGHBORHOODS. ROOM SIZE
DIMENSIONS AND SQUARE FOOTAGES
ARE APPROXIMATE. CONTACT SALES
AGENT FOR MORE INFORMATION.
TERMS AND CONDITIONS APPLY.
[HTTPS://EGSTOLTZFUSHOMES.COM/
TERMS-AND-CONDITIONS/](https://EGSTOLTZFUSHOMES.COM/TERMS-AND-CONDITIONS/)



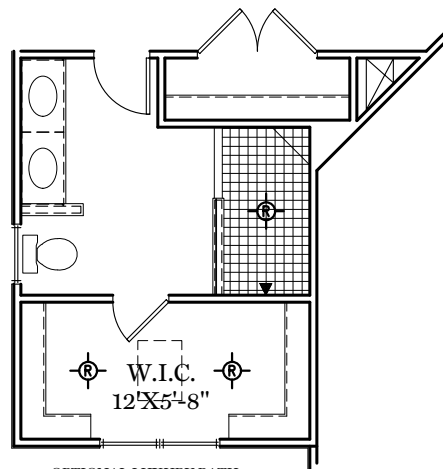
OPTIONAL EXPANDED FAMILY ENTRY



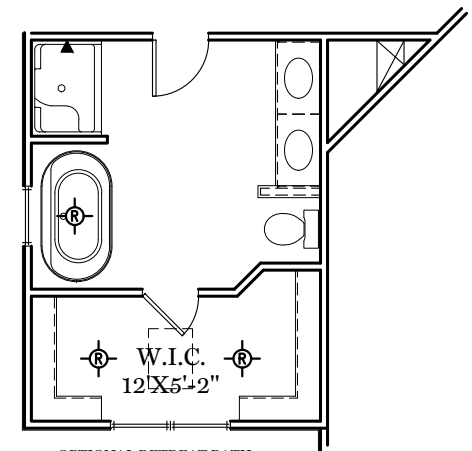
OPTIONAL UPGRADED BATH



OPTIONAL W.I.C.
FOR BEDROOM 2



OPTIONAL LUXURY BATH



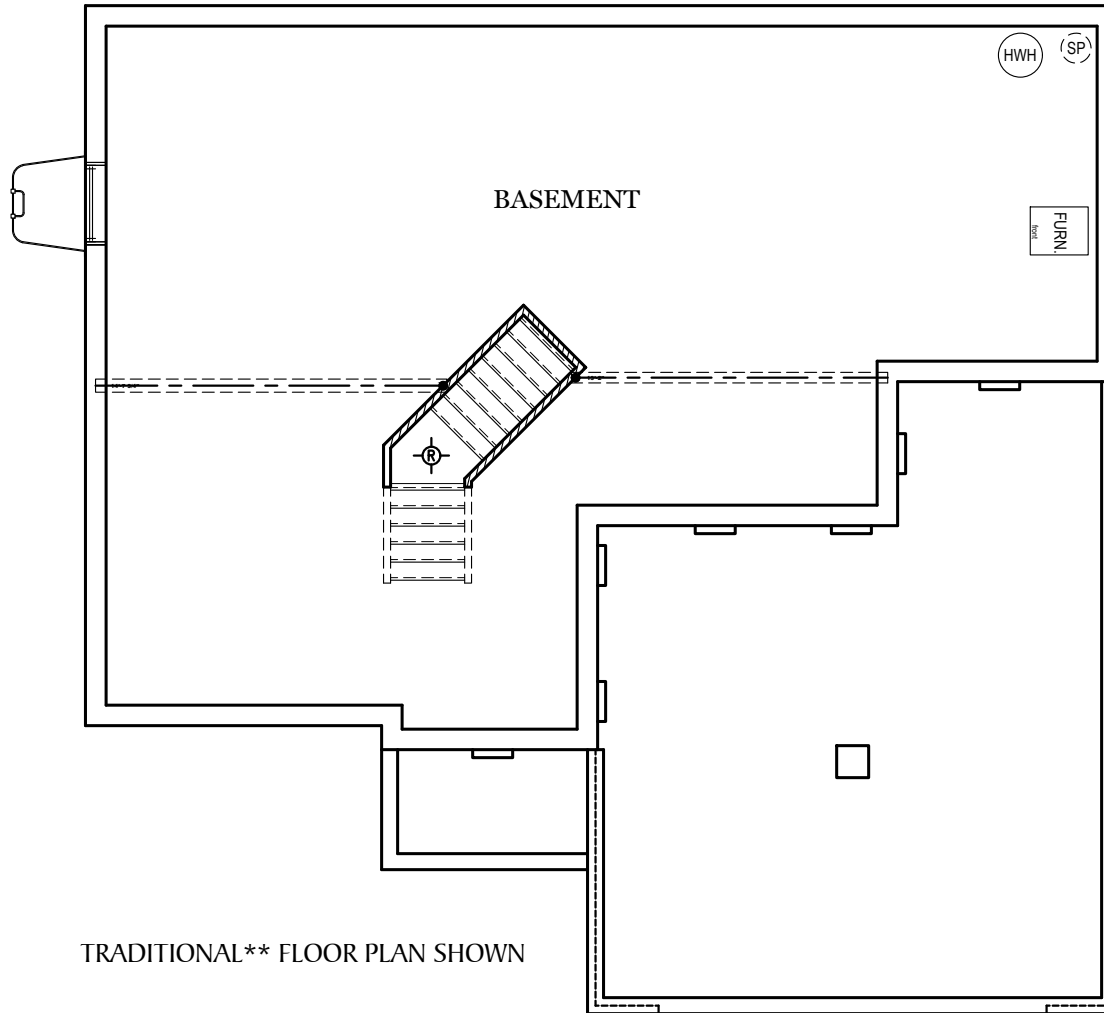
OPTIONAL RETREAT BATH

ALL IMAGES ARE FOR ARTISTIC PURPOSES ONLY AND MAY CONTAIN ADDITIONAL FEATURES OR DESIGN OPTIONS NOT AVAILABLE ON ALL HOME PLANS AND IN ALL NEIGHBORHOODS. ROOM SIZE DIMENSIONS AND SQUARE FOOTAGES ARE APPROXIMATE. CONTACT SALES AGENT FOR MORE INFORMATION. TERMS AND CONDITIONS APPLY. [HTTPS://EGSTOLTZFUSHOMES.COM/TERMS-AND-CONDITIONS/](https://EGSTOLTZFUSHOMES.COM/TERMS-AND-CONDITIONS/)

⊕ = FLUSH MOUNT RECESSED-STYLE LIGHT

⊕
INCLUDES ADDITIONAL
EXTERIOR RECEPTACLE

WALKOUT BASEMENT SCENARIO



TRADITIONAL** FLOOR PLAN SHOWN

E.G.S. RESERVES THE RIGHT TO
RELOCATE MECHANICALS AS REQ.
BY SITE CONDITIONS

ALL IMAGES ARE FOR ARTISTIC
PURPOSES ONLY AND MAY CONTAIN
ADDITIONAL FEATURES OR DESIGN
OPTIONS NOT AVAILABLE ON ALL
HOME PLANS AND IN ALL
NEIGHBORHOODS. ROOM SIZE
DIMENSIONS AND SQUARE FOOTAGES
ARE APPROXIMATE. CONTACT SALES
AGENT FOR MORE INFORMATION.
TERMS AND CONDITIONS APPLY.
[HTTPS://EGSTOLTZFUSHOMES.COM/
TERMS-AND-CONDITIONS/](https://EGSTOLTZFUSHOMES.COM/TERMS-AND-CONDITIONS/)

Foundation

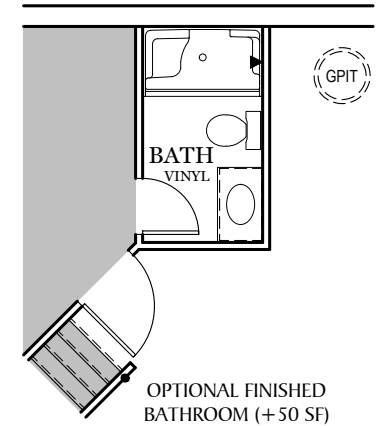
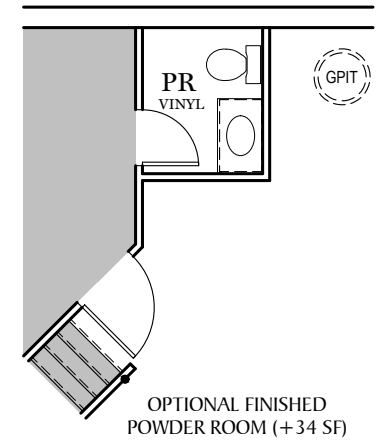
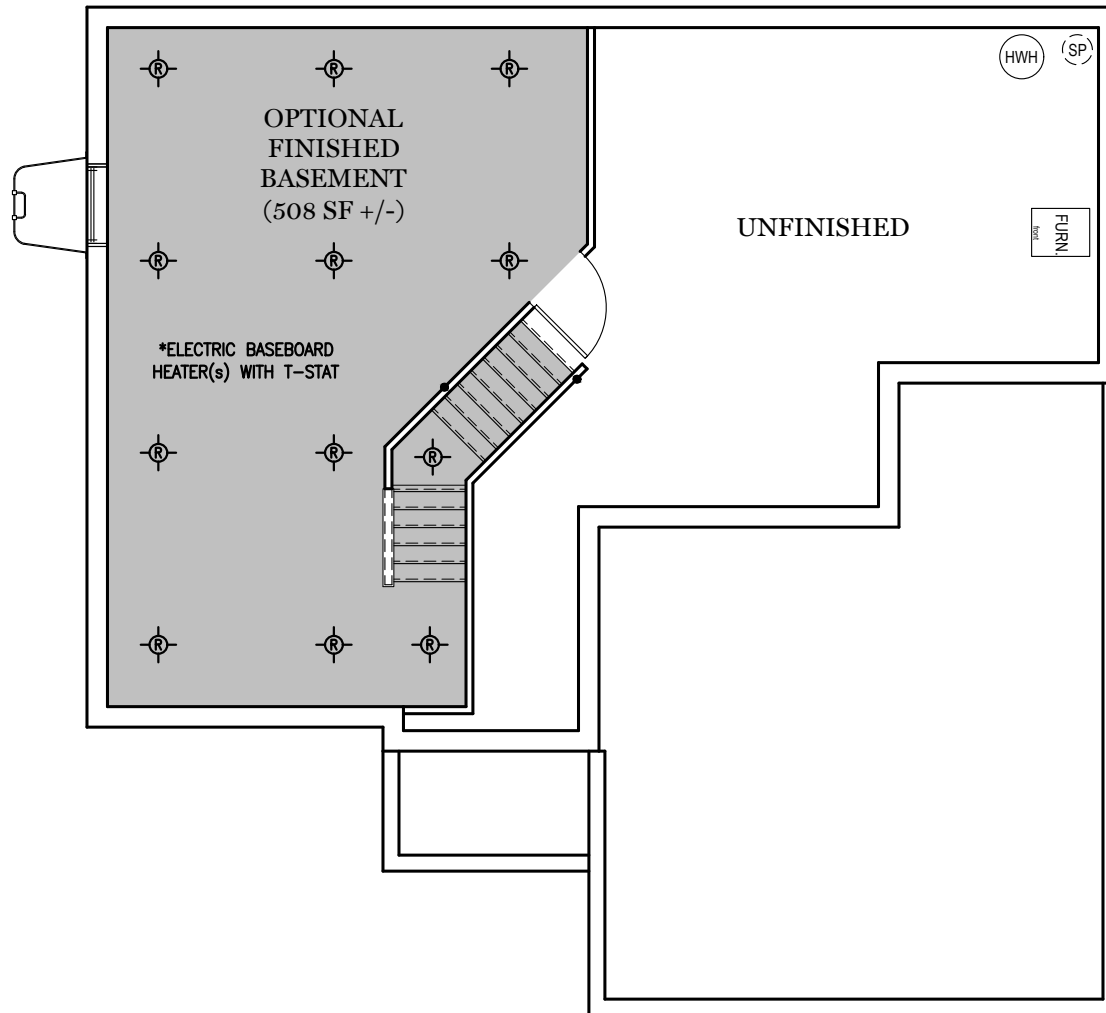
"DANBURY"

** TRADITIONAL FLOOR
PLAN ONLY AVAILABLE IN
SELECT COMMUNITIES

PDF LAST UPDATED 2/23/2023

■ = CARPETED AREA

⊙ = FLUSH MOUNT RECESSED-STYLE LIGHT



ALL IMAGES ARE FOR ARTISTIC PURPOSES ONLY AND MAY CONTAIN ADDITIONAL FEATURES OR DESIGN OPTIONS NOT AVAILABLE ON ALL HOME PLANS AND IN ALL NEIGHBORHOODS. ROOM SIZE DIMENSIONS AND SQUARE FOOTAGES ARE APPROXIMATE. CONTACT SALES AGENT FOR MORE INFORMATION. TERMS AND CONDITIONS APPLY. [HTTPS://EGSTOLTZFUSHOMES.COM/TERMS-AND-CONDITIONS/](https://EGSTOLTZFUSHOMES.COM/TERMS-AND-CONDITIONS/)



OPTIONAL EXTENDED COVERED PORCH



TRADITIONAL ELEVATION**



OPTIONAL EXTENDED COVERED PORCH



CLASSIC ELEVATION

ALL IMAGES ARE FOR ARTISTIC PURPOSES ONLY AND MAY CONTAIN ADDITIONAL FEATURES OR DESIGN OPTIONS NOT AVAILABLE ON ALL HOME PLANS AND IN ALL NEIGHBORHOODS. ROOM SIZE DIMENSIONS AND SQUARE FOOTAGES ARE APPROXIMATE. CONTACT SALES AGENT FOR MORE INFORMATION. TERMS AND CONDITIONS APPLY. [HTTPS://EGSTOLTZFUSHOMES.COM/TERMS-AND-CONDITIONS/](https://egstoltzfushomes.com/terms-and-conditions/)

** TRADITIONAL ELEVATION ONLY AVAILABLE IN SELECT COMMUNITIES

PDF LAST UPDATED 2/23/2023



OPTIONAL EXTENDED COVERED PORCH



AMERICAN ELEVATION



OPTIONAL EXTENDED COVERED PORCH



HERITAGE ELEVATION

ALL IMAGES ARE FOR ARTISTIC PURPOSES ONLY AND MAY CONTAIN ADDITIONAL FEATURES OR DESIGN OPTIONS NOT AVAILABLE ON ALL HOME PLANS AND IN ALL NEIGHBORHOODS. ROOM SIZE DIMENSIONS AND SQUARE FOOTAGES ARE APPROXIMATE. CONTACT SALES AGENT FOR MORE INFORMATION. TERMS AND CONDITIONS APPLY. [HTTPS://EGSTOLTZFUSHOMES.COM/TERMS-AND-CONDITIONS/](https://EGSTOLTZFUSHOMES.COM/TERMS-AND-CONDITIONS/)