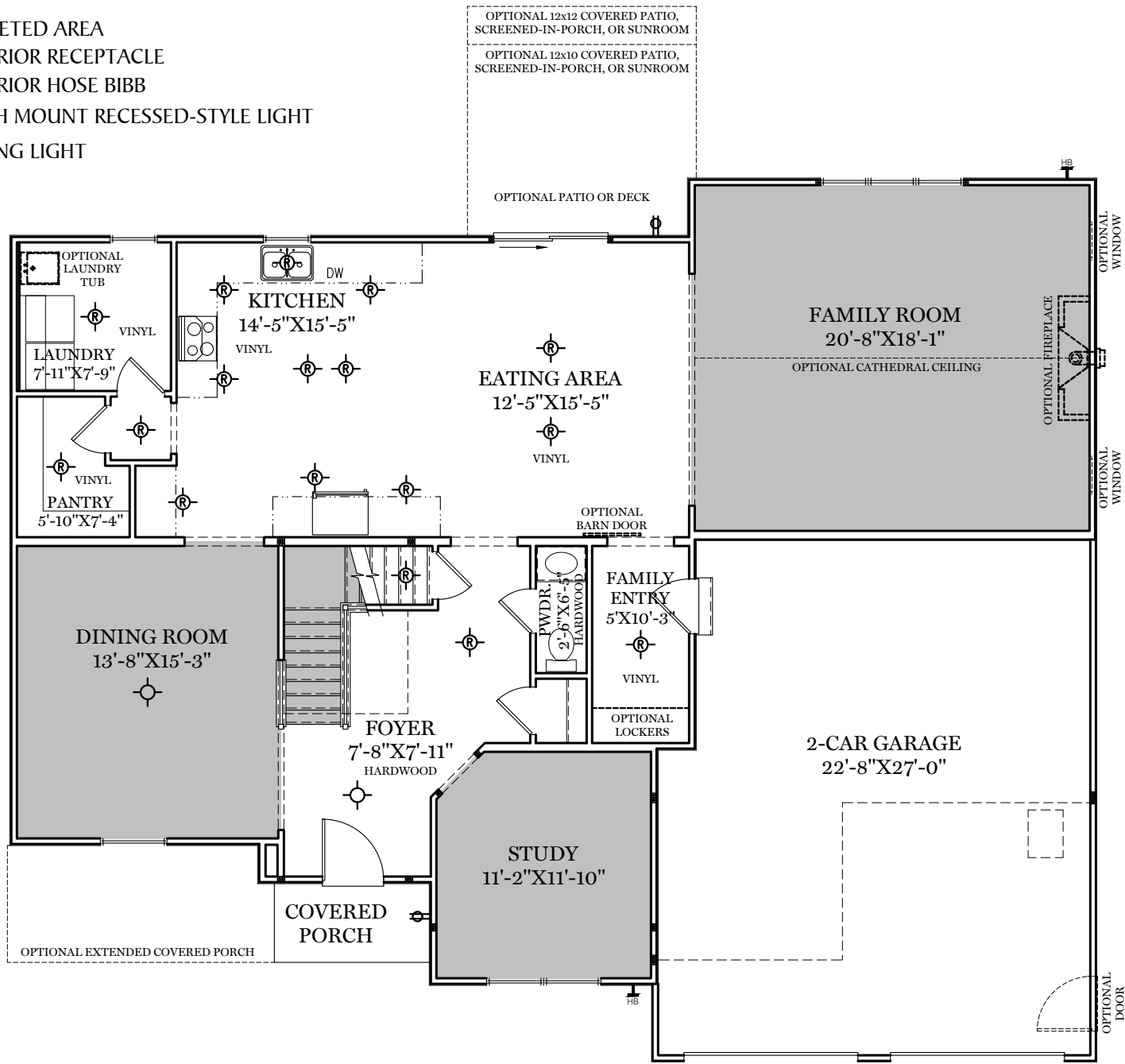


- = CARPETED AREA
- ⊕ = EXTERIOR RECEPTACLE
- HB ⊕ = EXTERIOR HOSE BIBB
- ⊕ (with R) = FLUSH MOUNT RECESSED-STYLE LIGHT
- ⊕ (with circle) = CEILING LIGHT



ALL IMAGES ARE FOR ARTISTIC PURPOSES ONLY AND MAY CONTAIN ADDITIONAL FEATURES OR DESIGN OPTIONS NOT AVAILABLE ON ALL HOME PLANS AND IN ALL NEIGHBORHOODS. ROOM SIZE DIMENSIONS AND SQUARE FOOTAGES ARE APPROXIMATE. CONTACT SALES AGENT FOR MORE INFORMATION. TERMS AND CONDITIONS APPLY. [HTTPS://EGSTOLTZFUSHOMES.COM/TERMS-AND-CONDITIONS/](https://EGSTOLTZFUSHOMES.COM/TERMS-AND-CONDITIONS/)



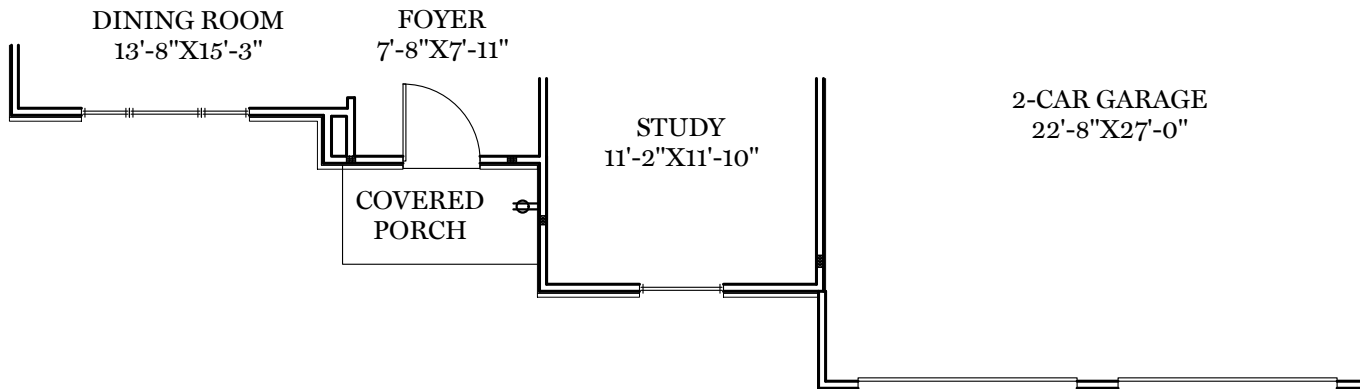
TRADITIONAL** & CLASSIC FLOOR PLAN SHOWN

1st Floor Plan - 1,649 sf

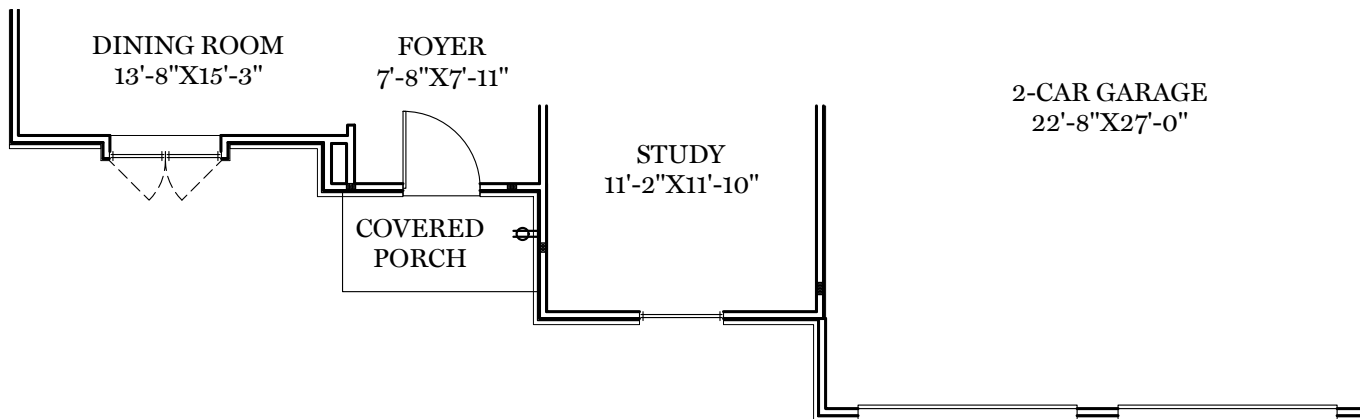
MAGNOLIA

** TRADITIONAL FLOOR PLAN ONLY AVAILABLE IN SELECT COMMUNITIES

PDF LAST UPDATED 2/23/2023



AMERICAN FLOOR PLAN

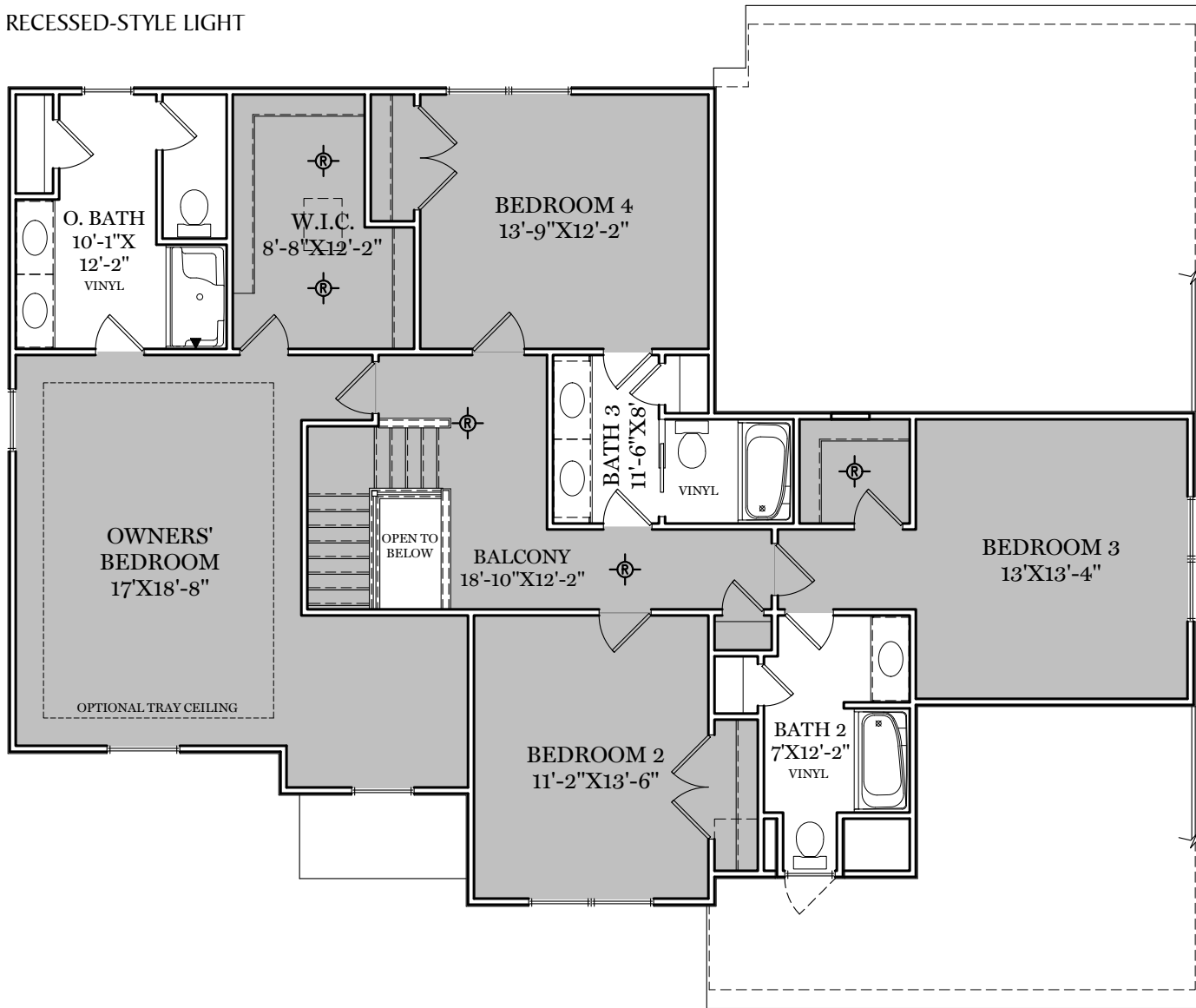


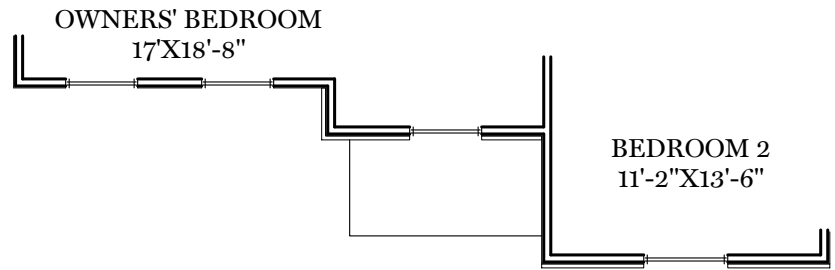
HERITAGE FLOOR PLAN

ALL IMAGES ARE FOR ARTISTIC PURPOSES ONLY AND MAY CONTAIN ADDITIONAL FEATURES OR DESIGN OPTIONS NOT AVAILABLE ON ALL HOME PLANS AND IN ALL NEIGHBORHOODS. ROOM SIZE DIMENSIONS AND SQUARE FOOTAGES ARE APPROXIMATE. CONTACT SALES AGENT FOR MORE INFORMATION. TERMS AND CONDITIONS APPLY. [HTTPS://EGSTOLTZFUSHOMES.COM/TERMS-AND-CONDITIONS/](https://EGSTOLTZFUSHOMES.COM/TERMS-AND-CONDITIONS/)

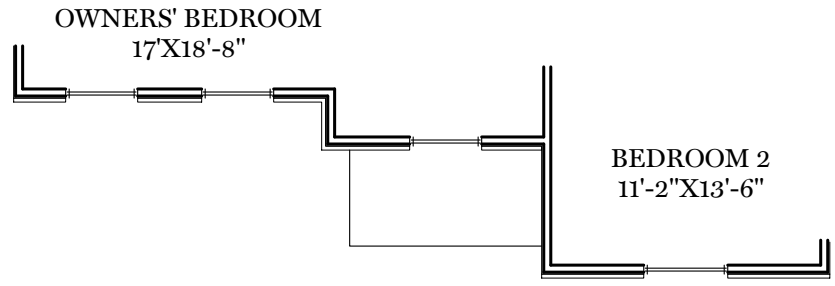
■ = CARPETED AREA

⊙ = FLUSH MOUNT RECESSED-STYLE LIGHT





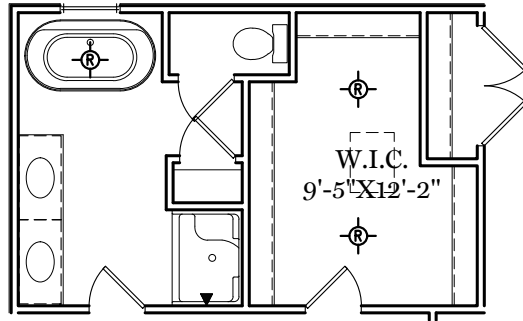
AMERICAN FLOOR PLAN



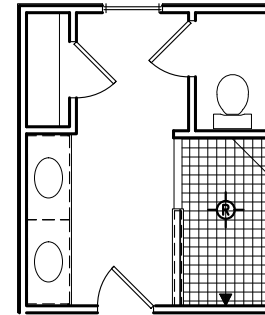
HERITAGE FLOOR PLAN

ALL IMAGES ARE FOR ARTISTIC PURPOSES ONLY AND MAY CONTAIN ADDITIONAL FEATURES OR DESIGN OPTIONS NOT AVAILABLE ON ALL HOME PLANS AND IN ALL NEIGHBORHOODS. ROOM SIZE DIMENSIONS AND SQUARE FOOTAGES ARE APPROXIMATE. CONTACT SALES AGENT FOR MORE INFORMATION. TERMS AND CONDITIONS APPLY. [HTTPS://EGSTOLTZFUSHOMES.COM/TERMS-AND-CONDITIONS/](https://EGSTOLTZFUSHOMES.COM/TERMS-AND-CONDITIONS/)

⊗ = FLUSH MOUNT RECESSED-STYLE LIGHT

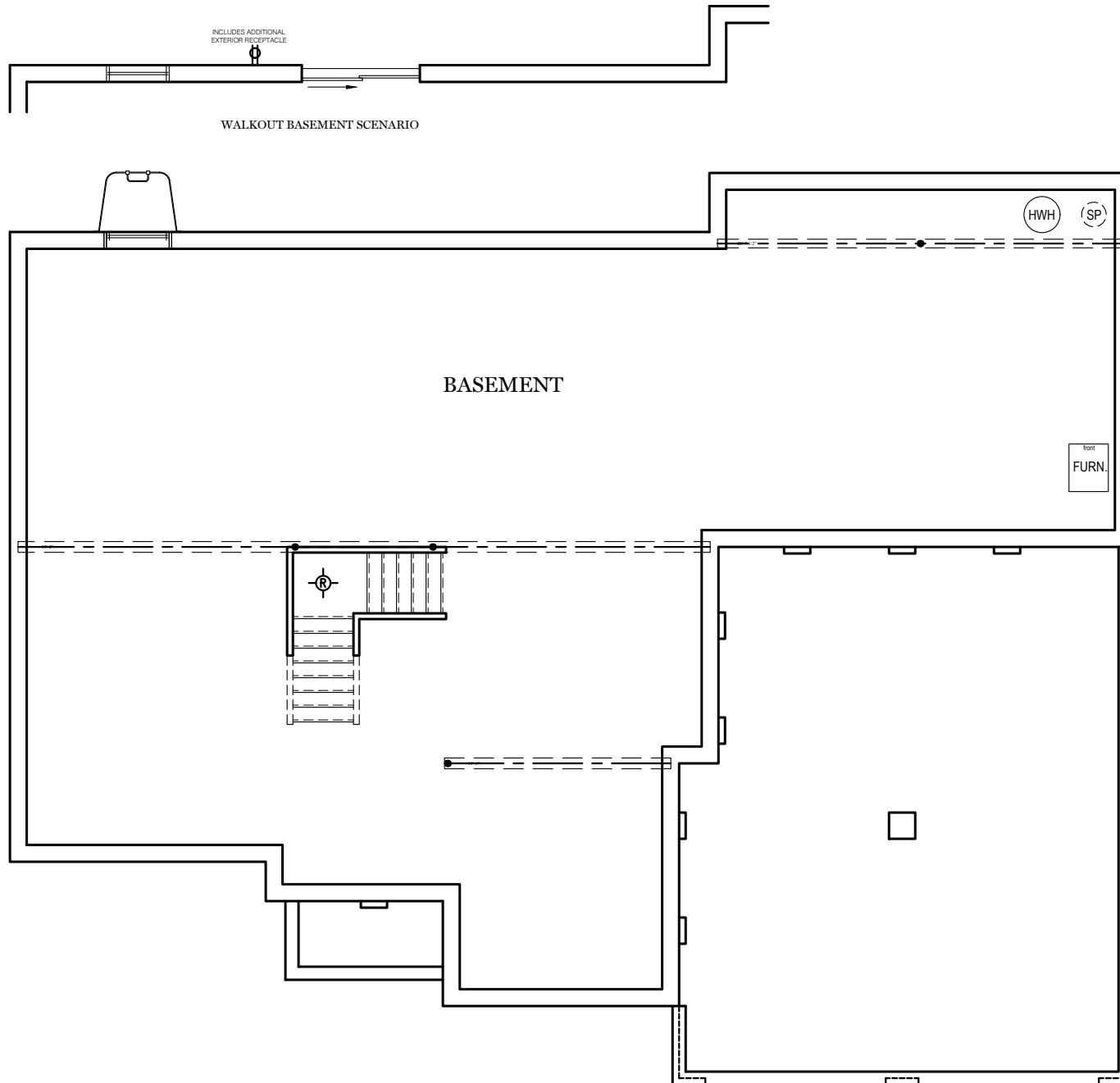


OPTIONAL RETREAT BATH



OPTIONAL LUXURY BATH

ALL IMAGES ARE FOR ARTISTIC PURPOSES ONLY AND MAY CONTAIN ADDITIONAL FEATURES OR DESIGN OPTIONS NOT AVAILABLE ON ALL HOME PLANS AND IN ALL NEIGHBORHOODS. ROOM SIZE DIMENSIONS AND SQUARE FOOTAGES ARE APPROXIMATE. CONTACT SALES AGENT FOR MORE INFORMATION. TERMS AND CONDITIONS APPLY. [HTTPS://EGSTOLTZFUSHOMES.COM/TERMS-AND-CONDITIONS/](https://EGSTOLTZFUSHOMES.COM/TERMS-AND-CONDITIONS/)



WALKOUT BASEMENT SCENARIO

BASEMENT

FURN.

E.G.S. RESERVES THE RIGHT TO RELOCATE MECHANICALS AS REQ. BY SITE CONDITIONS

ALL IMAGES ARE FOR ARTISTIC PURPOSES ONLY AND MAY CONTAIN ADDITIONAL FEATURES OR DESIGN OPTIONS NOT AVAILABLE ON ALL HOME PLANS AND IN ALL NEIGHBORHOODS. ROOM SIZE DIMENSIONS AND SQUARE FOOTAGES ARE APPROXIMATE. CONTACT SALES AGENT FOR MORE INFORMATION. TERMS AND CONDITIONS APPLY. [HTTPS://EGSTOLTZFUSHOMES.COM/TERMS-AND-CONDITIONS/](https://egstoltzfushomes.com/terms-and-conditions/)

TRADITIONAL** FLOOR PLAN SHOWN

Foundation

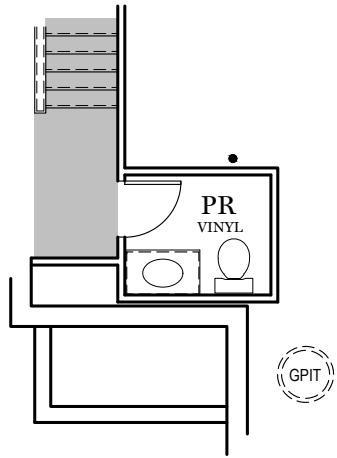
MAGNOLIA

** TRADITIONAL FLOOR PLAN ONLY AVAILABLE IN SELECT COMMUNITIES

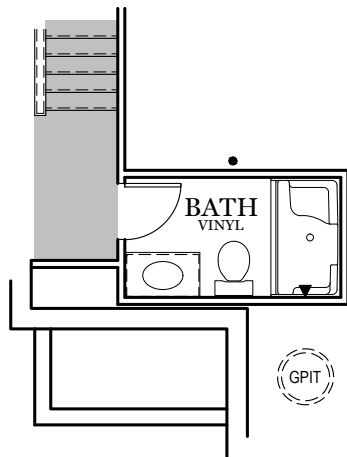
PDF LAST UPDATED 2/23/2023

■ = CARPETED AREA

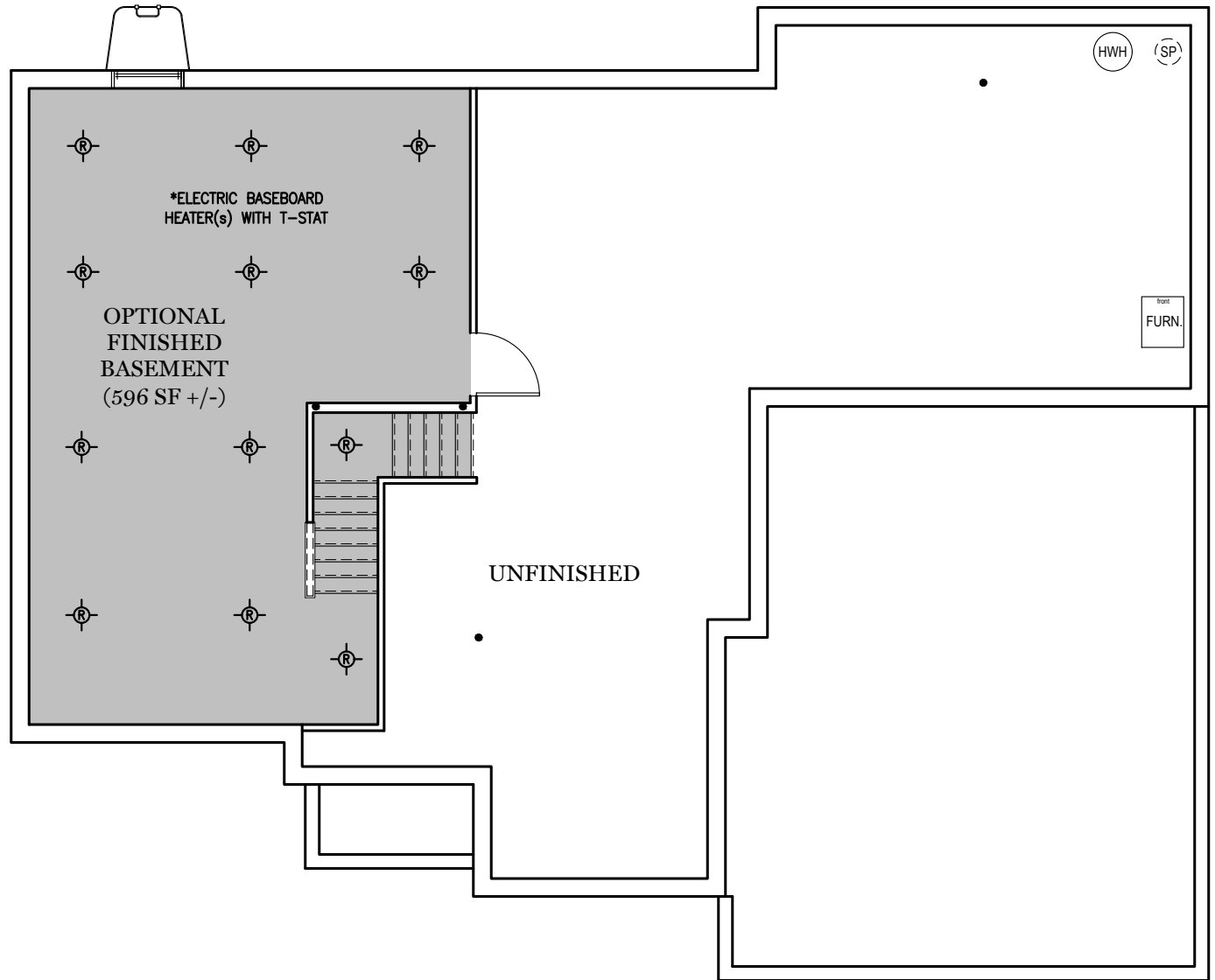
⊗ = FLUSH MOUNT RECESSED-STYLE LIGHT



OPTIONAL FINISHED
POWDER ROOM (+36 SF)



OPTIONAL FINISHED
BATHROOM (+53 SF)



ALL IMAGES ARE FOR ARTISTIC
PURPOSES ONLY AND MAY CONTAIN
ADDITIONAL FEATURES OR DESIGN
OPTIONS NOT AVAILABLE ON ALL
HOME PLANS AND IN ALL
NEIGHBORHOODS. ROOM SIZE
DIMENSIONS AND SQUARE FOOTAGES
ARE APPROXIMATE. CONTACT SALES
AGENT FOR MORE INFORMATION.
TERMS AND CONDITIONS APPLY.
[HTTPS://EGSTOLTZFUSHOMES.COM/
TERMS-AND-CONDITIONS/](https://EGSTOLTZFUSHOMES.COM/TERMS-AND-CONDITIONS/)



OPTIONAL EXTENDED COVERED PORCH



TRADITIONAL ELEVATION**



OPTIONAL EXTENDED COVERED PORCH



CLASSIC ELEVATION



OPTIONAL EXTENDED COVERED PORCH



AMERICAN ELEVATION



OPTIONAL EXTENDED COVERED PORCH



HERITAGE ELEVATION